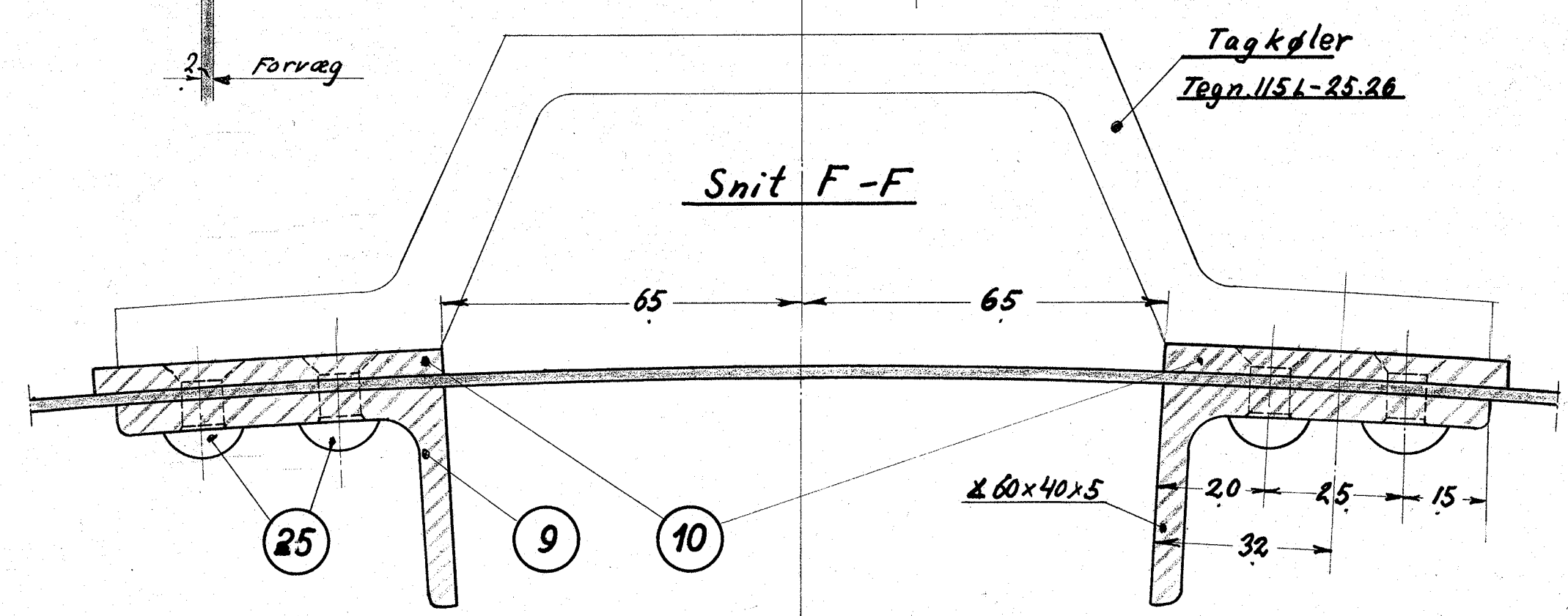
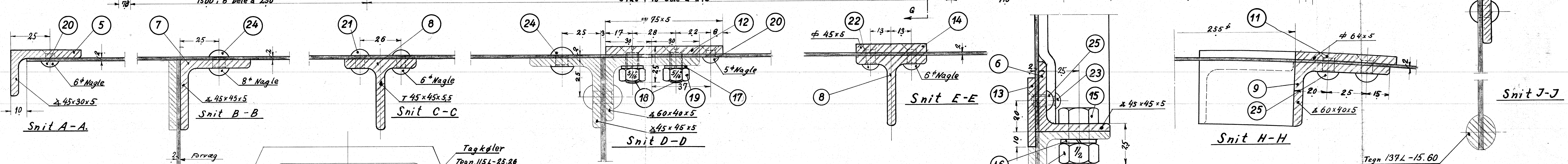
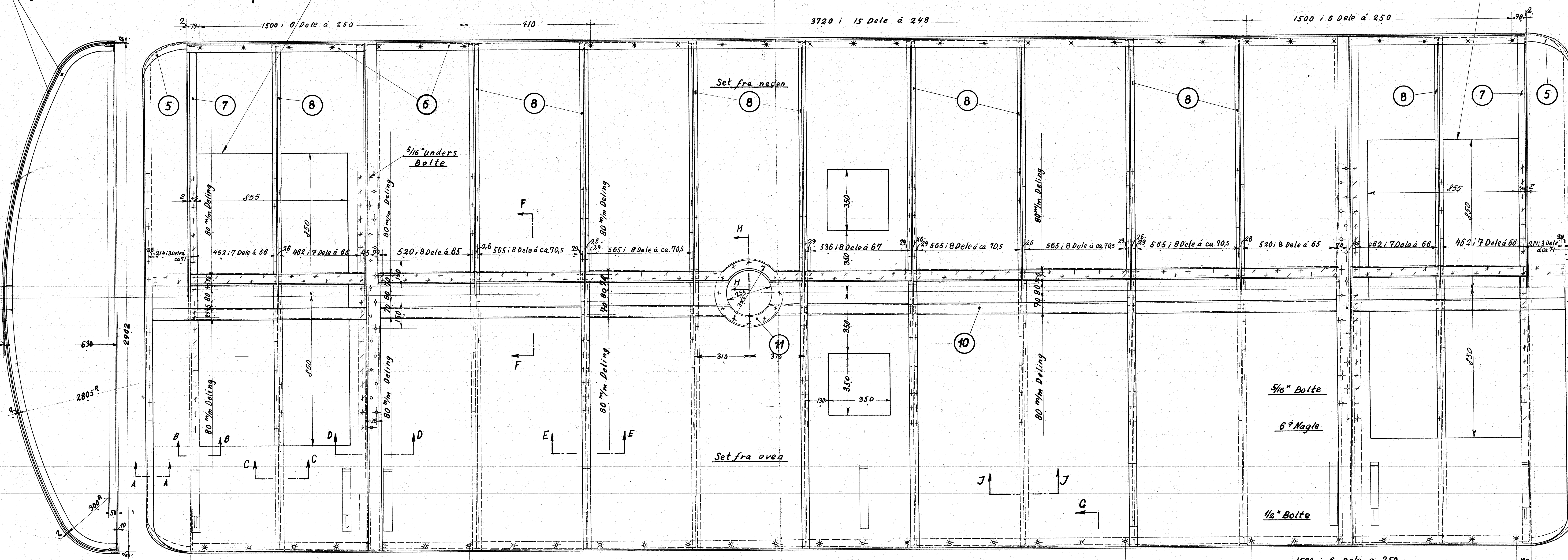
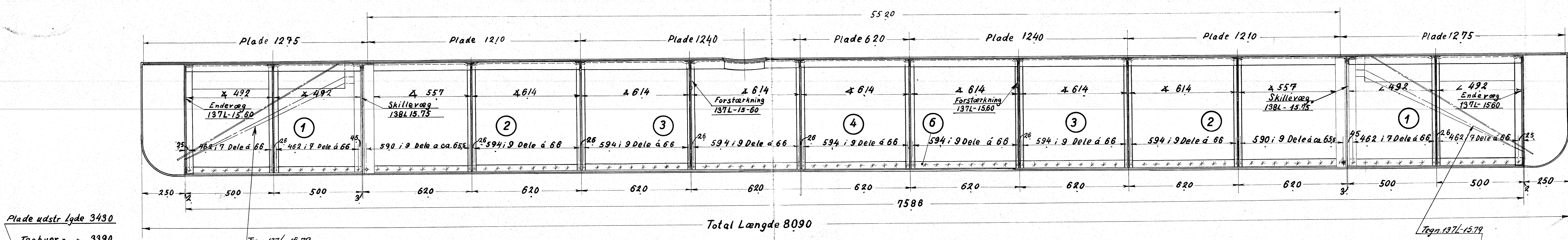


Stykliste Nr. 60131				
GENSTAND	MÆRKE	MATE-RIALE	MODEL MÆRKE	
2 Plade	1	Flussj	3450x1300x2	
2 "	2	"	3450x1300x2	
2 "	3	"	3450x1300x2	
1 "	4	"	3450x1300x2	
2 Kantvinkel v. Enderne	5	"	45x30x5x700	
2 "	6	"	45x30x5x700	
2 Tagbuer	7	"	45x30x5x700	
10 "	8	"	45x30x5x700	
2 Midterste Længdeeftvænger	9	"	60x40x5x1500	
2 Fladjernskinner	10	"	60x40x5x1500	
2 "	11	"	400x40x5	
2 "	12	"	75x5x600	
2 Kantlister 3Delt	13	"	45x45x18350	
4 Fladjernsbuer	14	"	45x45x13800	
58 sort Bolt 1/2" Hoved og Matrik 1/2" x 25	15	"	Magasin	
58 Fjederskive 1/2"	16	"	Staal	
90 "	17	"	"	
90 Surue 5/16" x 25	18	"	Flussj	
90 Matrik 5/16"	19	"	"	
150 Nagle 6" x 13	20	"	Wittej	
550 "	21	"	Best	
360 "	22	"	"	
50 "	23	"	"	
180 "	24	"	"	
350 "	25	"	"	



- * 1/2" Bolte
- + 5/16" unders Bolte
- * 8" Nagler
- + 6" Nagler

A/E A
 1:50
 1:1
 A/E A
 3. OB
 2. 12 - 35
 137L-15.58
 Diesel-el275/300HK Motorloko.